



SINCE 2009
FRANC AUDIO ACCESSORIES
AND SOUND HAS NO LIMITS

MODULAR BASIC RACK AUDIO RACK - MAIN INFORMATIONS

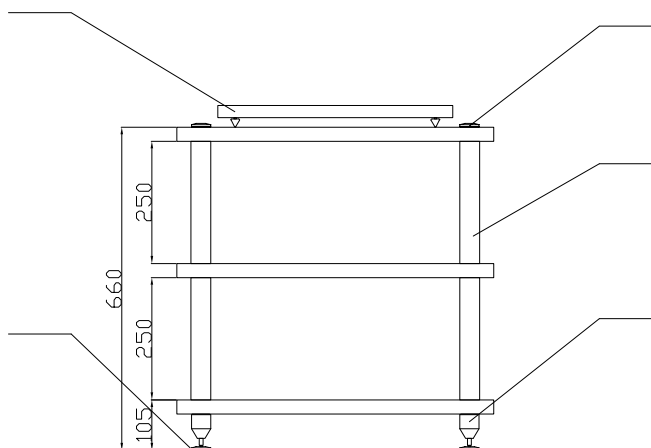
MORE THAN 15 YEARS OF EXPERIENCE IN DESIGNING AND BUILDING OF AUDIO RACKS AND ACCESSORIES HIDDEN INSIDE THIS RACK
ENGINEERS KNOWLEDGE - TRADITION - THE HIGHEST QUALITY - CNC MACHINING - CRAFTSMANSHIP FINISHING - HIGH END PRODUCTS SUPPORTED BY REVIEWERS TESTS - EXPERIENCE ON HIGH-END MARKET SINCE 2009

ADDITIONAL PLATFORM

- as option additional anti-vibration platform can be used for even better vibration control and separation of audio component from unwanted resonances
- additional platform has its own spikes for easy leveling
- dimensions of platform 480x380[mm]

ELEGANT PADS

- four precision CNC-machined, black-anodized aluminum pads provide elegant support for the spikes and additionally protect the floor from scratching
- any Franc Audio Accessories ceramic feet can be installed instead of the aluminum feet, providing even better separation and control of unwanted vibrations



ELEGANT NUTS

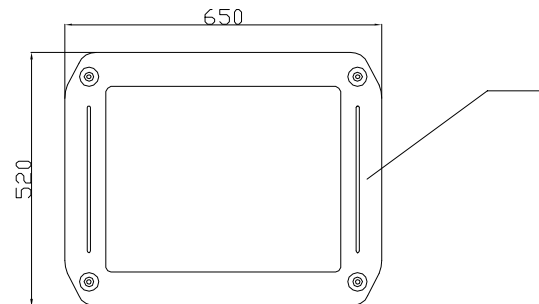
- precisely CNC machined elegant black anodised aluminum nuts

ALUMINUM LEGS

- high quality 40mm of diameter strong aluminum black painted pipes (non-carbon fiber version)
- the length of pipes can be customize on request

ADJUSTABLE SPIKE HOUSINGS

- 4 precisely CNC machined black anodised aluminum housings with spikes allow for easy and precisely leveling of each platform separately and also separate and reduce unwanted resonances and vibrations from the floor



LARGE AND FUNCTIONAL SHELVES

- precisely CNC machined 650x520x30[mm] large, stiff and durable shelf for small and big loads
- will accommodate any standard audio component
- available in matte black colour