



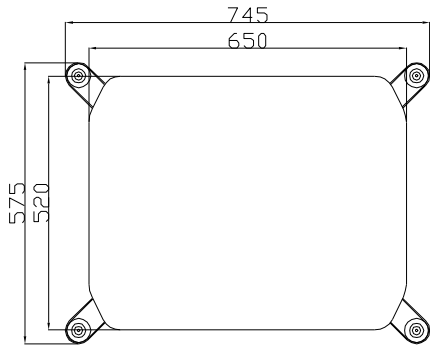
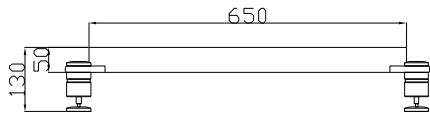
SINCE 2009
FRANC AUDIO ACCESSORIES
AND SOUND HAS NO LIMITS

MODULAR LINE - MAX PLATFORM
HIGH END LINE OF PLATFORMS - MAIN INFORMATIONS

MORE THAN 15 YEARS OF EXPERIENCE IN DESIGNING AND BUILDING OF AUDIO RACKS AND ACCESSORIES HIDDEN INSIDE THIS PLATFORMS
ENGINEERS KNOWLEDGE - TRADITION - THE HIGHEST QUALITY - CNC MACHINING - CRAFTSMANSHIP FINISHING - HIGH END PRODUCTS SUPPORTED BY REVIEWERS TESTS - EXPERIENCE ON HIGH-END MARKET SINCE 2009

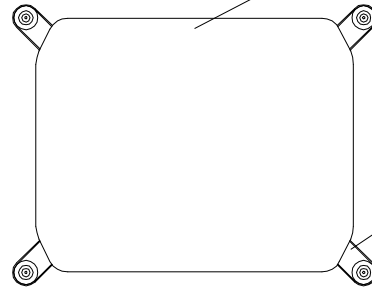
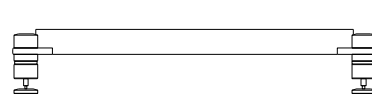
MAX

650x520x50/130[MM]



MAX+

650x520x50/130[MM]



EXCLUSIVE, HAND FINISHED SHELVES

- precisely CNC machined 50[mm] thick shelf additionally supported by high quality layer of carbon fiber
- 650x520x50[mm] big and strong shelf for small and very big load
- available in about 100 different matte or high gloss hand finished wooden veneers or as painted matte or high gloss in all RAL colors

SOLID HIGH GRADE ALUMINUM CONECTORS

- precisely CNC machined 12[mm] thick connectors made of high grade selected precisely grinded solid aluminum sheets for the best reduction of unwanted resonances, vibration control and quenching of vibrations
- exclusive black structural paint as a standard (other colors available on request) protected against finger prints and easy for cleaning
- extremely strong construction for small and very big load

NUTS - LOW FOR MAX OR HIGH FOR MAX+

- precisely CNC machined black anodised aluminum nuts - low version for Modular MAX and high version for Modular MAX+

ADJUSTABLE SPIKE HOUSINGS

- 4 precisely CNC machined black anodised aluminum housings with spikes allow for easy and precisely leveling of each platform separately and also separate and reduce unwanted resonances and vibrations from the floor

ELEGANT PADS

- four precision CNC-machined, black-anodized aluminum feet provide elegant support for the spikes and additionally protect the floor from scratching
- any Franc Audio Accessories ceramic feet can be installed instead of the aluminum feet, providing even better separation and control of unwanted vibrations

- EACH PLATFORM HAS THEIR OWN UNIQUE SERIAL NUMBER AND CERTIFICATE OF AUTHENTICITY SIGNED BY FOUNDER
- FINISHING - WOODEN VENEERS + MAT OR HIGH GLOSS HAND POLISHED VARNISH OR RAL PALETTE COLOURS
- PACKAGING - CARDBOARD BOX