

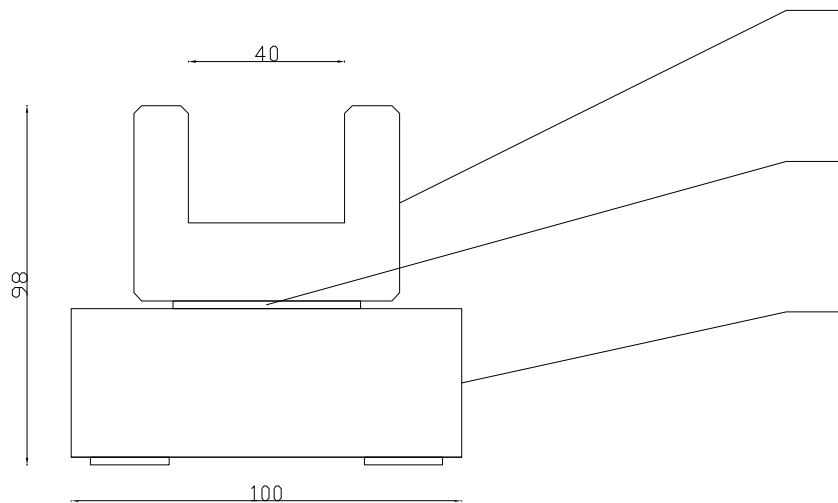


SINCE 2009
FRANC AUDIO ACCESSORIES
AND SOUND HAS NO LIMITS

CABLE STAND
MAIN INFORMATIONS

MORE THAN 15 YEARS OF EXPERIENCE IN DESIGNING AND BUILDING OF AUDIO RACKS AND ACCESSORIES HIDDEN INSIDE THIS PLATFORMS
ENGINEERS KNOWLEDGE - TRADITION - THE HIGHEST QUALITY - CNC MACHINING - CRAFTSMANSHIP FINISHING - HIGH END PRODUCTS SUPPORTED BY REVIEWERS TESTS - EXPERIENCE ON HIGH-END MARKET SINCE 2009

CABLE STAND
100x100x98[MM]



CNC MACHINED TOP PART

- precisely CNC machined high grade aluminum top part
- maximum cable diameter ~40[mm]

ANTI-VIBRATION LAYER

- reduction of unwanted resonances and vibration control

EXCLUSIVE, HAND FINISHED SUPPORT

- 100x100x38[mm] stable hand made bottom base part
- available in about 100 different matte or high gloss hand finished wooden veneers or as painted matte or high gloss in all RAL colors

- FINISHING - WOODEN VENEERS + MAT OR HIGH GLOSS HAND POLISHED VARNISH OR RAL PALETTE COLOURS
- PACKAGING - CARDBOARD BOX