



SINCE 2009
FRANC AUDIO ACCESSORIES
 AND SOUND HAS NO LIMITS

CERAMIC DISC SLIM FOOT

HIGH END LINE OF ANTI-VIBRATION FOOTERS - MAIN INFORMATIONS

MORE THAN 15 YEARS OF EXPERIENCE IN DESIGNING AND BUILDING OF AUDIO RACKS AND ACCESSORIES HIDDEN INSIDE THIS PRODUCT

ENGINEERS KNOWLEDGE - TRADITION - THE HIGHEST QUALITY - CNC MACHINING - CRAFTSMANSHIP FINISHING - HIGH END PRODUCTS SUPPORTED BY REVIEWERS TESTS - EXPERIENCE ON HIGH-END MARKET SINCE 2009

CERAMIC DISC SLIM FOOT

Avard winner - The most wanted component 2016 (The Stereo Times)

...the best for semi heavy gear and floor speakers up to 200[kg]

The Best for semi-heavy audio components, speakers, turntables, stands, racks, platforms and audio furniture and where as short as possible footers are needed/required.

Excellent for replacing original footers mounted by producers in audio components, speakers etc. Sophisticated, precisely CNC machining technology, carefully selected high grade materials and super hard ceramic balls **guarantee the most effective vibration control and suppression of unwanted resonances and the best listening experiences.**

Using (as option) additional M6 screws **allow the installation of the Ceramic Disc Slim Foot in many ways** and directly to the audio components. If your audio component/stand/speaker has its own spikes, you can also install them on the footers **without disconnecting the original spikes** - simply insert the component with spikes into the black holes in the center of the disks.

It is also **The most wanted component 2016** by The Stereo Times and **the choice of reviewers** of Hifistatement, The Stereo Times or HiFiKnights and these feet are used by them in their **reference audio systems** during tests of audio equipment.

Availability and finish

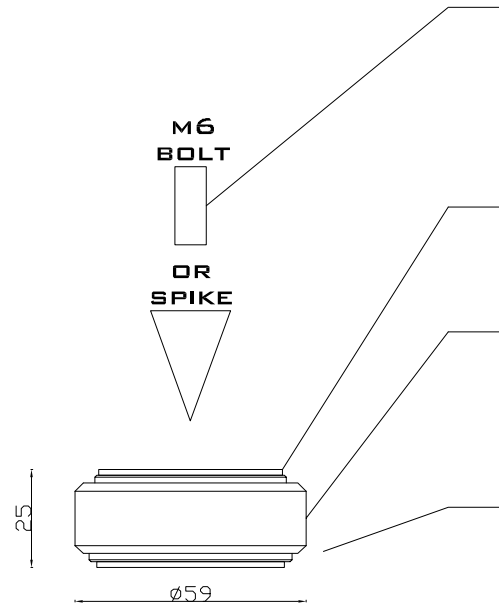
Sets of 3 or 4 feet, packaged in elegant box with protective foam insert.

Each set has their own unique serial number and certificate of authenticity signed by founder.

Finishing - silver gloss, black gloss. Other on request.

Dimensions

- Diameter of the top bearing 48[mm]
- Outside diameter 59[mm]
- Height 25[mm]
- Thread M6
- Maximum load 0-150[kg] (set of 3 pieces), 0-200[kg] (set of 4 pieces)



BOLT OR SPIKE

- easy mounting on audio gear, rack, speakers or other by using bolt connectors
- you can easy instal of your gear - just put it on its original spikes in center - black holes of the footers
- silicone on the top perfectly quenched unvanted resonances and keep your audio gear in exactly the same right position at any time
 - avoid of any moving or sliding of audio gear on footers
- protect your precious audio gear against any scratches and damages

CERAMIC BEARING

- sandwich construction of precisely cnc machined high grade aluminum bearing and silicone on the top perfectly quenched unvanted resonances
- three ceramic balls guarantee the best vibration controll and reduction of unvanted resonances

HOUSING

- precisely cnc machined high grade gloss anodised aluminum housing of ceramic bearing
- keep ceramic bearing in right and perfect center position guaranteed perfect and the same load and press at all of ceramic balls inside bearing
- another level of dumping of resonances by soft mounition between housing and bottom plate of the footer

BOTTOM PAD

- keep always your footers in right place and position
- anti-dumping layer at the bottom perfectly isolate from resonances of a floor or other surface which the footers are put on
 - prevent against moving
- protect your floor or furniture against scratching or damages keeping it always in perfect condition

CERAMIC DISC SLIM FOOT
APPLICATION LIST

CD PLAYERS
DACS
TRANSPORTS

AMPLIFIERS
MONO AMPLIFIERS
TUBE AMPLIFIERS

POWER SUPPLY
CONDITIONERS
FILTERS

TURNTABLES

MONITOR
SPEAKERS

FLOOR
SPEAKERS

ON AND
UNDER
SPEAKER
STANDS

ON AND
UNDER
PLATFORMS

ON AND UNDER
AUDIO RACKS

CERAMIC DISC SLIM FOOT
 SET OF 3 (0-150 KG)
 SET OF 4 (0-200 KG)

- ONE SET OF CERAMIC DISC SLIM FOOT INCLUDES 3 OR 4 FOOTERS
- EACH SET OF DISCS HAS THEIR OWN UNIQUE SERIAL NUMBER AND CERTIFICATE OF AUTHENTICITY SIGNED BY FOUNDER
- FINISHING - BLACK OR SILVER HIGH GLOSS ANODISING (OTHER COLOURS ON REQUEST)
- PACKAGING - EXCLUSIVE BOX WITH FOAM PROTECTION