

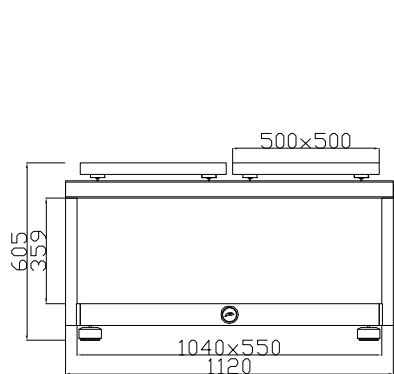


SINCE 2009
FRANC AUDIO ACCESSORIES
AND SOUND HAS NO LIMITS

WOOD BLOCK RACK - AVAILIABLE MODELS AND CONFIGURATIONS
500 AND 550 SERIES (500x500 AND 550x550[MM] SHELVES RACKS)

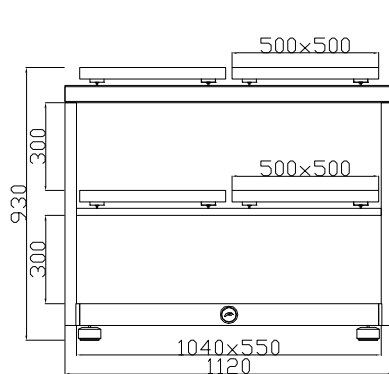
DOUBLE SIDED RACKS - ALL MODELS

500 SERIES RACK



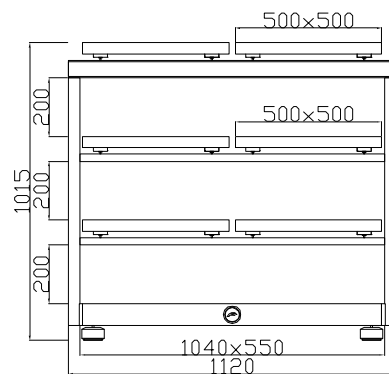
2 LEVELS, 4 COMPONENTS RACK
CODE:
DS-WBR-500 1+2

500 SERIES RACK



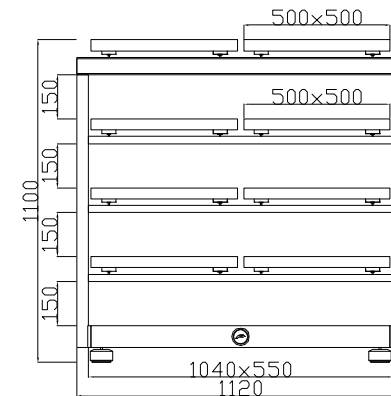
3 LEVELS, 6 COMPONENTS RACK
CODE:
DS-WBR-500 1+2+2

500 SERIES RACK



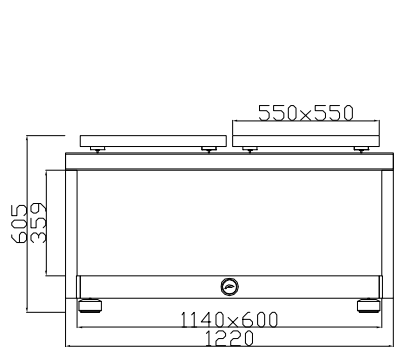
4 LEVELS, 8 COMPONENTS RACK
CODE:
DS-WBR-500 1+2+2+2

500 SERIES RACK



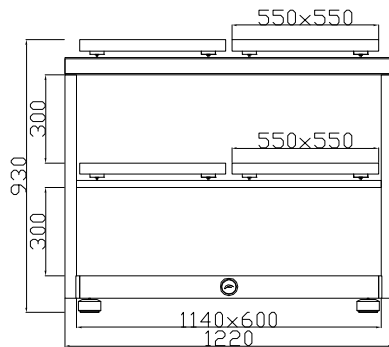
5 LEVELS, 10 COMPONENTS RACK
CODE:
DS-WBR-500 1+2+2+2+2

550 SERIES RACK



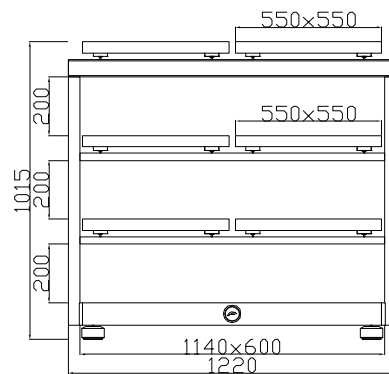
2 LEVELS, 4 COMPONENTS RACK
CODE:
DS-WBR-550 1+2

550 SERIES RACK



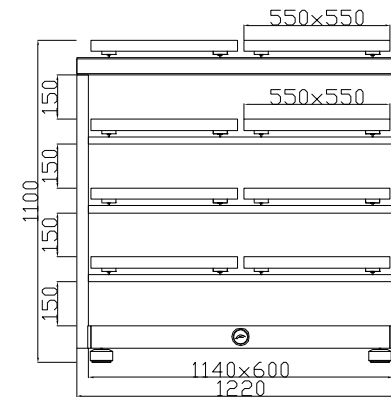
3 LEVELS, 6 COMPONENTS RACK
CODE:
DS-WBR-550 1+2+2

550 SERIES RACK



4 LEVELS, 8 COMPONENTS RACK
CODE:
DS-WBR-550 1+2+2+2

550 SERIES RACK



5 LEVELS, 10 COMPONENTS RACK
CODE:
DS-WBR-550 1+2+2+2+2