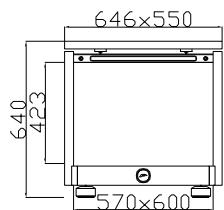


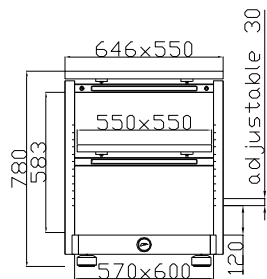


1 5TH ANNIVERSARY SPECIAL EDITION WOOD BLOCK RACK - AVAILABLE MODELS AND CONFIGURATIONS

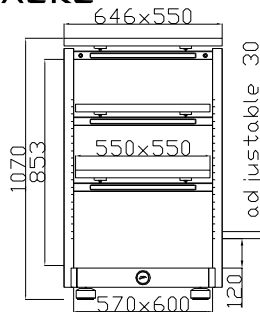
SINGLE SIDED RACKS



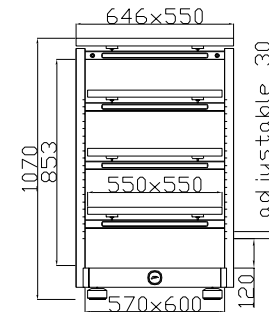
2 LEVELS, 2 COMPONENTS RACK
CODE: SS-15THASE-WBR 1+1



3 LEVELS, 3 COMPONENTS RACK
CODE: SS-15THASE-WBR 1+1+1

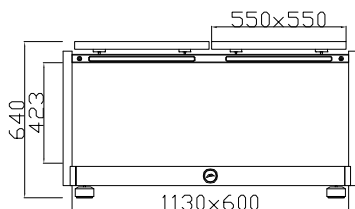


4 LEVELS, 4 COMPONENTS RACK
CODE: SS-15THASE-WBR 1+1+1+1

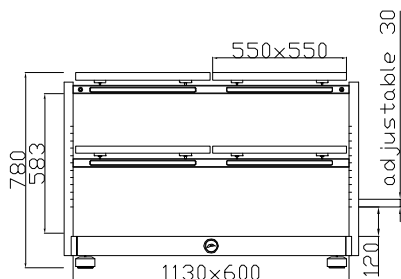


5 LEVELS, 5 COMPONENTS RACK
CODE: SS-15THASE-WBR 1+1+1+1+1

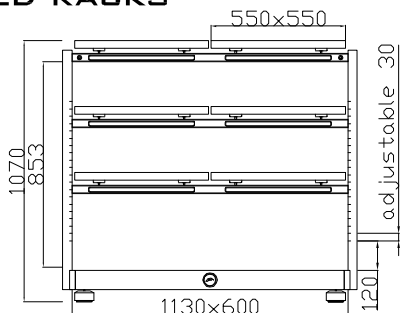
DOUBLE SIDED RACKS



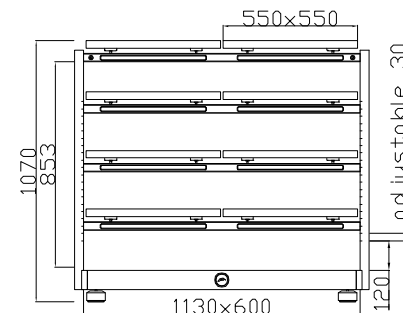
2 LEVELS, 4 COMPONENTS RACK
CODE: DS-15THASE-WBR 1+2



3 LEVELS, 6 COMPONENTS RACK
CODE: DS-15THASE-WBR 1+2+2

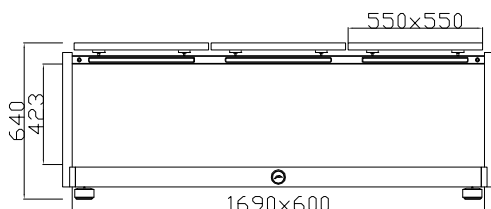


4 LEVELS, 8 COMPONENTS RACK
CODE: DS-15THASE-WBR 1+2+2+2

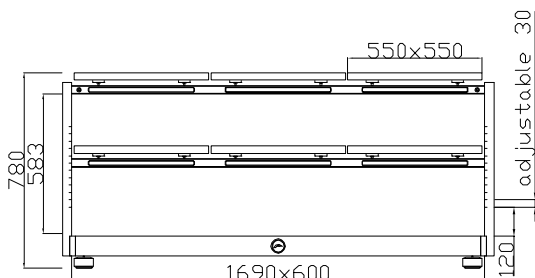


5 LEVELS, 10 COMPONENTS RACK
CODE: DS-15THASE-WBR 1+2+2+2+2

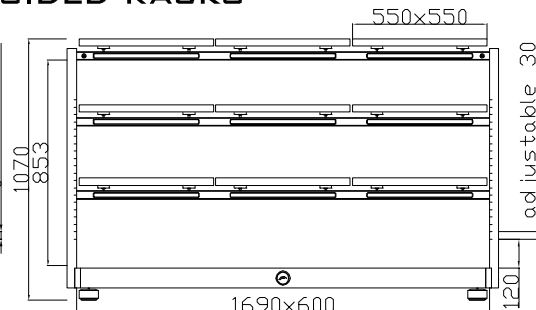
TRIPPLE SIDED RACKS



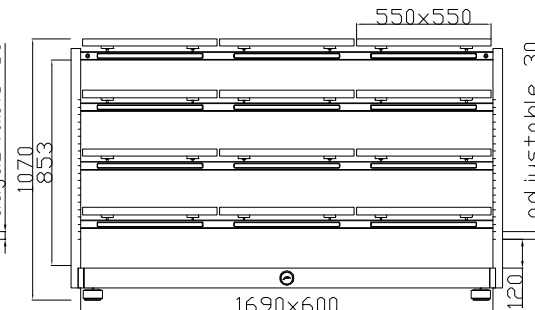
2 LEVELS, 6 COMPONENTS RACK
CODE: TS-15THASE-WBR 1+3



3 LEVELS, 9 COMPONENTS RACK
CODE: TS-15THASE-WBR 1+3+3



4 LEVELS, 12 COMPONENTS RACK
CODE: TS-15THASE-WBR 1+3+3+3



5 LEVELS, 15 COMPONENTS RACK
CODE: TS-15THASE-WBR 1+3+3+3+3