

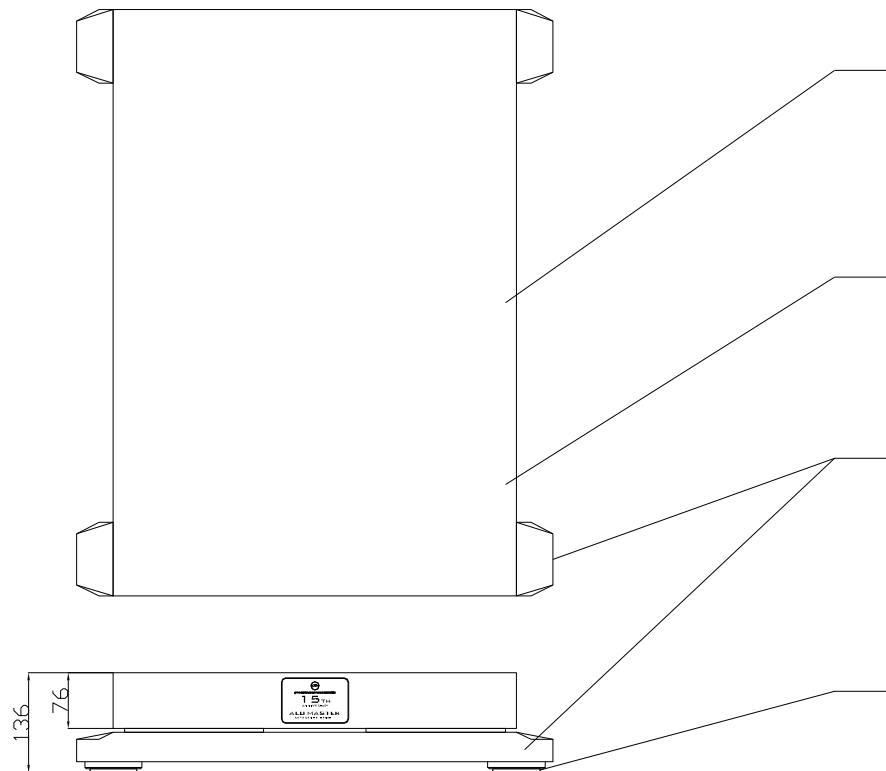


SINCE 2009
FRANC AUDIO ACCESSORIES
AND SOUND HAS NO LIMITS

ALUMASTER REFERENCE SERIES PLATFORM
REFERENCE LINE OF PLATFORMS - MAIN INFORMATIONS

MORE THAN 15 YEARS OF EXPERIENCE IN DESIGNING AND BUILDING OF AUDIO RACKS AND ACCESSORIES HIDDEN INSIDE THIS PLATFORMS
ENGINEERS KNOWLEDGE - TRADITION - THE HIGHEST QUALITY - CNC MACHINING - CRAFTSMANSHIP FINISHING - HIGH END PRODUCTS SUPPORTED BY REVIEWERS TESTS - EXPERIENCE ON HIGH-END MARKET SINCE 2009

ALUMASTER
550x800x76/136[MM]



EXCLUSIVE, HAND FINISHED REAL CARBON FIBER SHELVES

- sandwich construction of precisely CNC machined 76[mm] thick shelf and real carbon fiber sheets
- 550x800x136[mm] as standard size, but available on request in other dimensions
 - extremely strong and stiffen shelf for small and very big load
 - matt or high gloss black carbon as standard
- wooden veneers in matt or high gloss with additional carbon fiber sheet as option
 - mat or high gloss or metallic colours

ADDITIONAL ANTI-VIBRATION LAYER

- anti-vibration layer between top shelf and bottom aluminum frame for additional and the best quenching of resonances

SOLID HIGH GRADE ALUMINUM FRAME

- precisely CNC machined legs made of high grade selected solid aluminum 100x50[mm] bars for the best reduction of unwanted resonances, vibration control and quenching of vibrations
- exclusive black structural paint as a standard (other colors available on request) protected against finger prints and easy for cleaning
- extremely strong construction for small and very big load

TOP RANGE CERAMIC DISC HYBRID FEET

- 4 top range ceramic feet under each shelf for the best separation of each shelf and audio component on its, vibration control and reduction of unwanted resonances
- allow for easy and precisely leveling of platform

- 4 CERAMIC DISC HYBRID FEET UNDER PLATFORM + LEVELING
- EACH PLATFORM HAS THEIR OWN UNIQUE SERIAL NUMBER AND CERTIFICATE OF AUTHENTICITY SIGNED BY FOUNDER
- FINISHING - CARBON FIBER, VENEER, VENEER + CARBON FIBER TOP SHELF + BLACK ALUMINUM BOTTOM FRAME (OTHER COLOURS OF FRAME ON REQUEST)
- PACKAGING - WOODEN BOX (OR FLIGHT CASE ON REQUEST)